

TWN4 silicone

Protective enclosure for TWN4 desktop readers



TWN4 MultiTech 2 equipped with a TWN4 silicone
(exemplary illustration)

The TWN4 silicone is a protective enclosure that can be used as an additional housing covering for all RFID desktop readers of the ELATEC TWN4 MultiTech and TWN4 MultiTech 2 families.

Special features:

- + Enables to seal and protect the entire RFID reader (IP68 safety class)
- + Easy to clean and ideal for wet and dusty environments
- + Hygiene certificate on request



Elevator



EV Chargers



Access



Shop POS



Fitness
Equipment



Ticket POS



PC Log-on



Document
Management



Driver ID



Vending



Parking



Gaming



Locker Locks



Time
Attendance



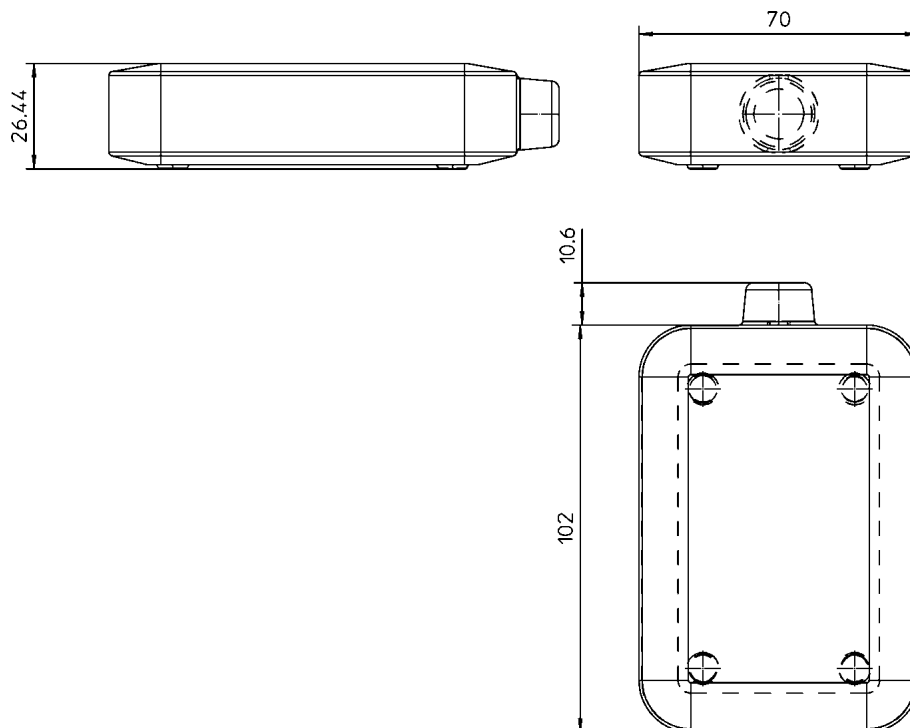
Industrial
PC

TECHNICAL DATA¹⁾

HOUSING	Safety class: IP68 Material: XIAMETER RBB-6650-50, uncatalyzed silicone rubber base Color: milky white translucent	
DIMENSIONS (L X W X H)	Approx. 112.60 x 70.00 x 26.44 mm / 4.43 x 2.76 x 1.04 inch, plus reader cable length	
TEMPERATURE RANGE	Operating: -25 °C up to +70 °C (-13 °F up to +158 °F) Storage: -40 °C up to +75 °C (-40 °F up to +167 °F)	
WEIGHT	Approx. 40 g / 1.41 oz (additive to the reader weight)	
CERTIFICATIONS	REACH and RoHS-III compliant	
ORDER CODES	T4BT-FB2WEL7-M	TWN4 MultiTech 2 desktop reader (standard configuration), USB cable (2.00 m), white housing, incl. TWN4 silicone
	T4BT-FB2WEL2-MLCCID	TWN4 MT2 HF CCID, USB, white, silicone protective
	T4BT-FB2WEL6-M	TWN4 MultiTech 2 LF HF desktop reader (standard configuration), USB cable (2.00 m), white housing, incl. TWN4 silicone
	T4BT-FB2WEL6-PIM	TWN4 MultiTech 2 LF HF desktop reader (with PI options), USB cable (2.00 m), white housing, incl. TWN4 silicone
	The TWN4 silicone is available by default with the desktop readers listed above. Upon request, other readers can also be delivered with the TWN4 silicone.	

¹⁾Please also refer to the relevant data sheet of the TWN4 desktop reader used with the TWN4 silicone.

TECHNICAL DRAWINGS



All measures in mm

ELATEC GmbH

Zeppelinstr. 1
82178 Puchheim
Germany
P +49 89 552 9961 0
F +49 89 552 9961 129
E-Mail: info-rfid@elatec.com
Website: elatec.com

ELATEC Systems GmbH

Schwieberdinger Str. 44
71636 Ludwigsburg
Germany
P +49 7141 309736 0
E-Mail: info-rfid@elatec.com
Website: elatec.com

ELATEC Inc.

1995 SW Martin Hwy
Palm City • FL 34990
USA
P +1 772 210 2263
F +1 772 382 3749
E-Mail: americas-info@elatec.com
Website: elatec.com

ELATEC Technology (Shenzhen) LLC

918, Main Building, Tian An Cyber Times
Tower, No. 6, Tairan Fourth Road, Tian 'an
Community, Shatou Neighborhood
Futian District • Shenzhen • China
P/F +86 755 2394 6014
E-Mail: apac-info@elatec.com
Website: elatec.com

ELATEC reserves the right to change any information or data in this document without prior notice. ELATEC declines all responsibility for the use of this product with any other specification but the one mentioned above. Any additional requirement for a specific customer application has to be validated by the customer himself at his own responsibility. Where application information is given, it is only advisory and does not form part of the specification. Disclaimer: All names used in this document are registered trademarks of their respective owners.