

RF DATA's high performance RFD905B RFID antenna is circularly polarised with 9Dbi of gain, packed into a compact low profile polycarbonate plenum covering IP68 rating and fire resistant properties.

The antenna is designed aesthetically for industrial and commercial purpose usage, and can withstand critical to harsh conditions.

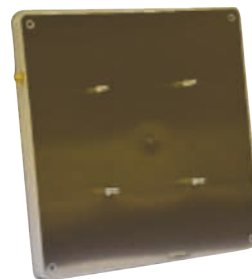


Physical/Environmental Specifications:

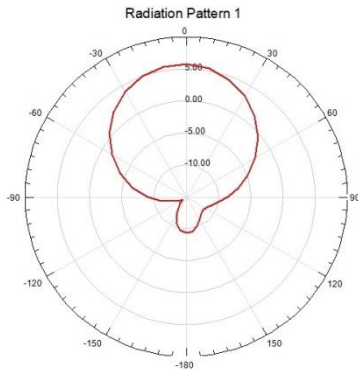
Parameters	Specifications
Dimensions(L X W X D)	(10 X 10 X 0.8) inches
Environmental Rating	IP 68
Operating and Storage Temperature	(-25°C to 70°C) / (-13°F to 158°F)
Mounting	Flush and Vesa Mount
Connector Type	SMA Female Type connector

Electrical/ RF Characteristics:

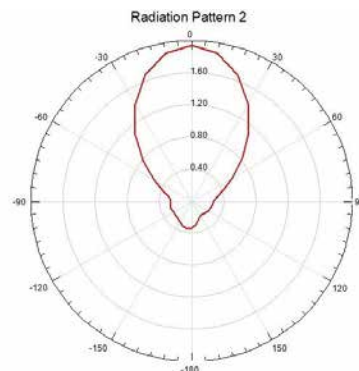
Parameters	Specifications
Frequency	(860-930)MHz ETSI /FCC/ Worldwide
Polarization	CP (Circular Polarised)
Gain	9dBi c
VSWR	1.3 Typical
Front to Back ratio	20 dB
Beam width at 3db	60 degrees
Max. Power Input	3 W
Read Range	9m / 29ft



Radiation Pattern



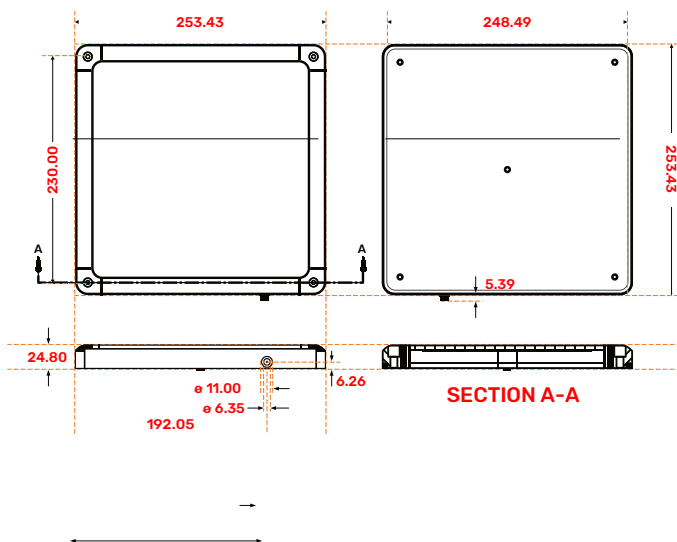
Y-Z Plane



X-Z Plane

Physical Mounting Information

Flush mount



Vesa mount

